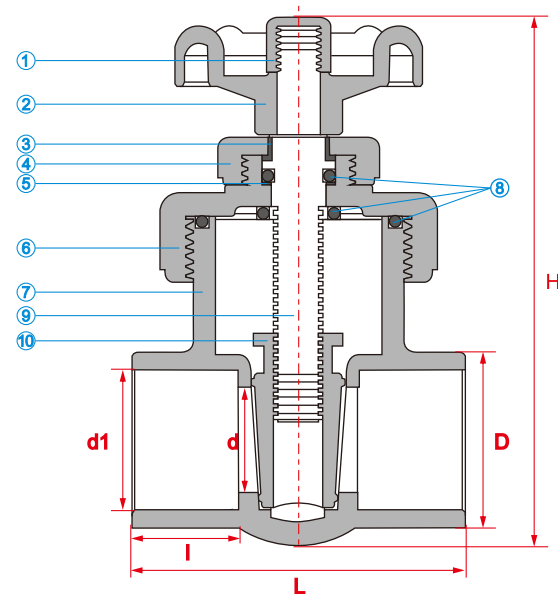




## GATE VALVE

**SIZE: DN20~DN50, 1/2" ~ 2"**

**CONNECTION:** Socket  
**MATERIAL:** UPVC  
**STANDARD:** DIN, ANSI  
**COLOUR:** Gray, White



CONSTRUCTION			
ITEM	PART	QTY	MATERIAL
1	Stem nut	1	UPVC
2	Hand wheel	1	PP
3/5	Gasket	2	POM
4	Small nut	1	UPVC
6	Big nut	1	UPVC
7	Body	1	UPVC
8	O-ring	3	EPDM/VITON
9	Stem	1	UPVC
10	Disc	1	PP/PVDF

Unit:mm

NOMINAL SIZE		d1		STRUCTURE SIZE					PRESSURE	APPROX. WT.	PRODUCT CODE
DN	ANSI	DIN	ANSI	D	d	I	L	H	PN	g	DIN Gray
DN15	1/2"	20	21.34	30	15	20	72	126	16	255	301UD16G-20E
DN20	3/4"	25	26.67	37	20	22	72	126	16	250	301UD16G-25E
DN25	1"	32	33.4	44	25	29	94	159.5	16	440	301UD16G-32E
DN32	1-1/4"	40	42.16	53	32	33	100	159.5	16	473	301UD16G-40E
DN40	1-1/2"	50	48.26	62	40	35	114	197	16	640	301UD16G-50E
DN50	2"	63	60.33	76	50	38	120	217	16	911	301UD16G-63E